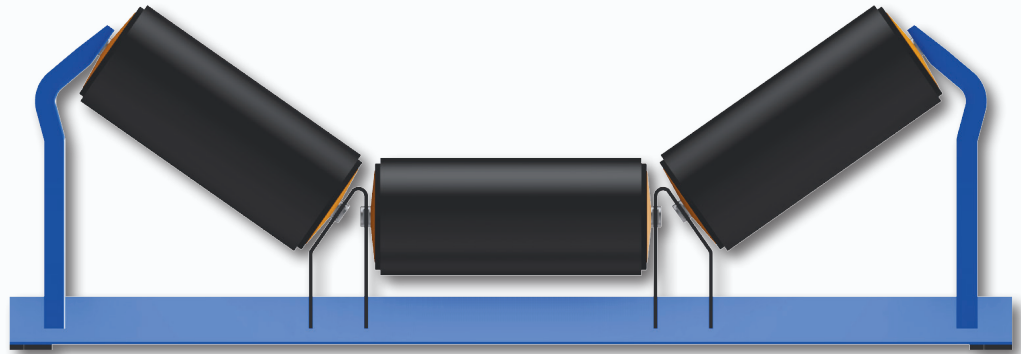




# COMPOSITE IDLERS

**Retrofit to your Existing Frames**

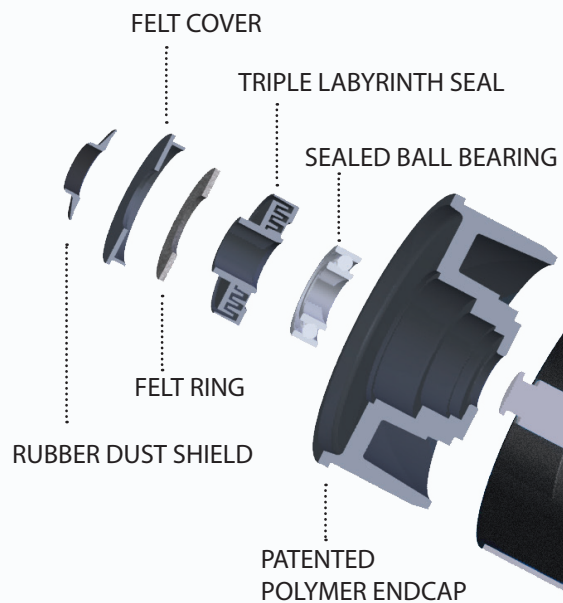
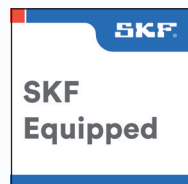
**Full 2 Year  
Warranty**



- Decrease weight of rollers; up to 50% without losing load carrying capacity
- Quiet operation. Achieve 12-15 dB sound emission reduction over steel rollers
- Abrasion resistance provided by high-strength E-glass reinforcements and ultra tough epoxy resin formula
- Scale quality tubing delivers less than 0.015" TIR
- Corrosion resistant construction
- Available in 4", 5" & 6" diameters
- Polymer bearing housing
- Mild steel shaft ( stainless steel available)



**Anti-lock Shield & High Moisture  
Seal Available**



**Luff Industries Ltd.**  
235010 Wrangler Road  
Rocky View, (Calgary) Alberta, T1X 0K3

TF: 1.888.349.LUFF (5833)  
P: 403.279.3555  
F: 403.279.5709

**Conveying Performance**

[info@luffindustries.com](mailto:info@luffindustries.com)  
[www.luffindustries.com](http://www.luffindustries.com)