

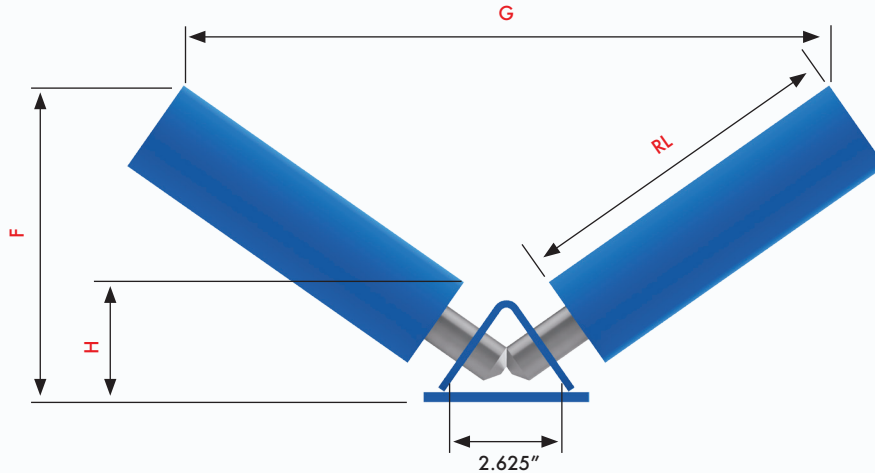


# High Speed Spreader

**High Speed Spreaders (HSS) are built specifically for high speed belt conveying applications, such as portable stone slinging.**



A SKF Company

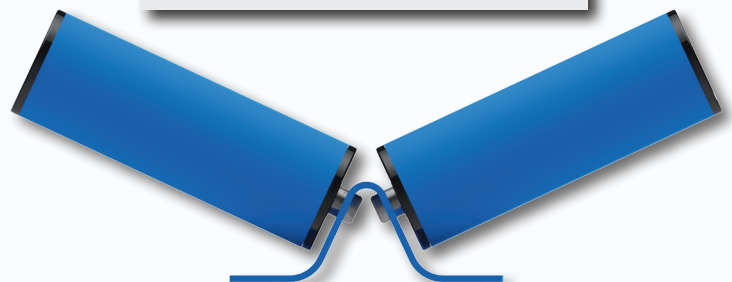


2.375-INCH DIAMETER					CEMA C	
BELT	F	G	H	RL	PART #	WEIGHT
8"	5.875"	8.875"	2.562"	4.750"	8C-235-SS	18 lbs.
10"	5.688"	10.4375"	2.562"	5.750"	10C-235-SS	19 lbs.
12"	6.4375"	12.063"	2.562"	6.750"	12C-235-SS	20 lbs.
14"	7"	13.750"	2.562"	7.750"	14C-235-SS	21 lbs.
16"	7.562"	15.375"	2.562"	8.750"	16C-235-SS	22 lbs.
18"	8.125"	17"	2.562"	9.750"	18C-235-SS	23 lbs.

**Full 2 Year Warranty  
5 Day Delivery**

- The HSS features true shaft concentricity, eliminating wobble and belt movement usually generated with high belt speeds on traditional sized idlers.
- Mechanically attached outer cap to avoid rollers blowing apart.
- The HSS is available in a variety of sizes and can be custom engineered upon request.

**CENTER MOUNT V-TROUGH  
ALSO AVAILABLE**



**Luff Industries Ltd.**  
235010 Wrangler Road  
Rocky View, (Calgary) Alberta, T1X 0K3

TF: 1.888.349.LUFF (5833)  
P: 403.279.3555  
F: 403.279.5709

**Conveying Performance**

[info@luffindustries.com](mailto:info@luffindustries.com)  
[www.luffindustries.com](http://www.luffindustries.com)